

INDEX

DEFENSE & SECURITY SOLUTIONS

HIGH PRECISION MANUFACTURING SOLUTIONS FOR THE DEFENSE,
SECURITY AND SHOOTING SPORTS INDUSTRIES

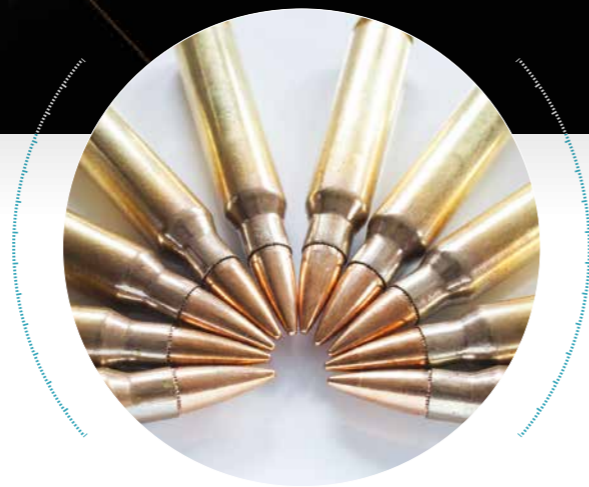


better.parts.faster.

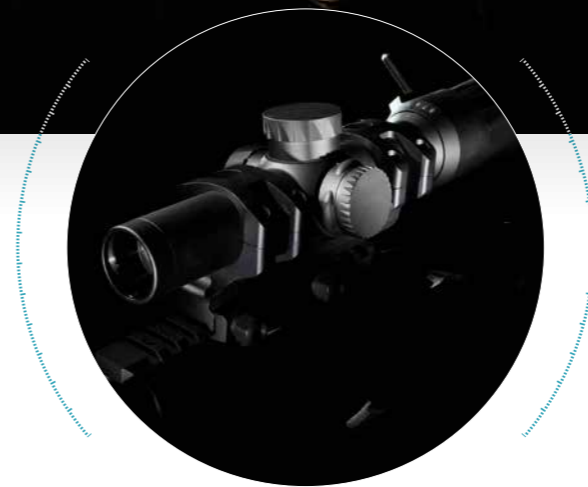
DEFENSE & SECURITY SOLUTIONS



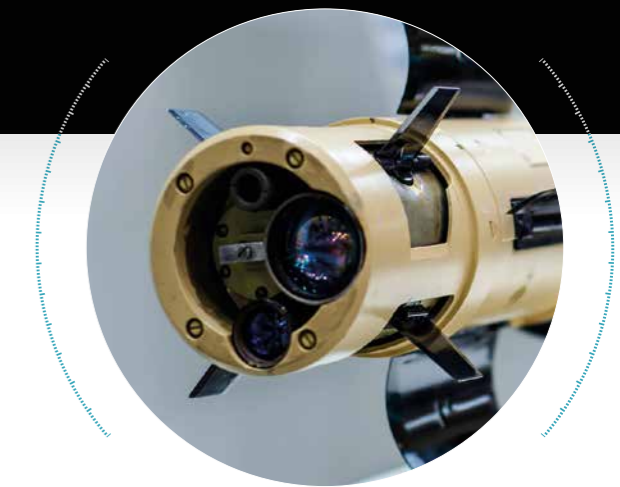
PRECISION COMPONENTS FOR THE SMALL ARMS AND SHOOTING SPORTS INDUSTRIES



SMALL ARMS PROJECTILES, PROJECTILES, BULLETS AND CARTRIDGES



OPTIC COMPONENTS



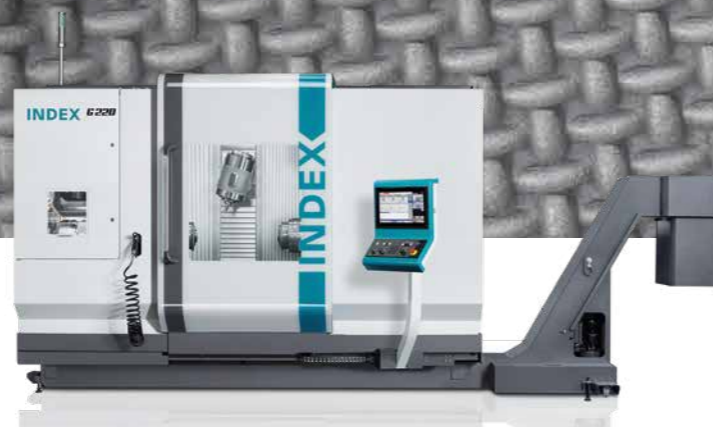
PRECISION PARTS FOR GUIDED MISSILES

COMPLETE MACHINING OF PRECISION COMPONENTS FOR THE SMALL ARMS AND SHOOTING SPORTS INDUSTRIES



INDEX Swiss-turning technology | Highlights

- Simultaneous machining with 2, 3 or 4 tools
- Large tool magazine for easy setups
- Fast changeover between fixed and sliding headstock operation
- Short tool change times thanks to CNC indexing axes in the tool turrets and front attachment
- Generously dimensioned and process-safe work area
- Intelligent automation through integration of the iXcenter robotic cell
- High-quality German machine tool design and construction



INDEX G220 | Highlights

- Identical main and counter spindle with spindle diameter \varnothing 76 mm
- Chucked parts up to maximum \varnothing 230 mm
- 3 tool carriers for up to 169 tools
- Powerful motorized milling spindle with proven Y/B quill kinematics for complex 5-axis milling operations
- Sophisticated work space concept for turning lengths of up to 900 mm and variable machining options
- High thermal and mechanical stability
- High dynamic
- Fast and easy setups
- High-quality German machine tool design and construction



Barrel

\varnothing 30 mm | L 700 mm
INDEX G220



Bolt carrier

\varnothing 32 mm | L 200 mm
INDEX G220



Rifle bolt

\varnothing 30 mm | L 130 mm
INDEX G220

SMALL ARMS PROJECTILES, PROJECTILES, BULLETS AND CARTRIDGES



Projectile

Ø 4.6 - 35 mm
INDEX ABC



Casing

Ø 16 - 52 mm
INDEX MS16 - MS52



INDEX ABC: Dynamic production lathe with unsurpassed power density and high dynamics



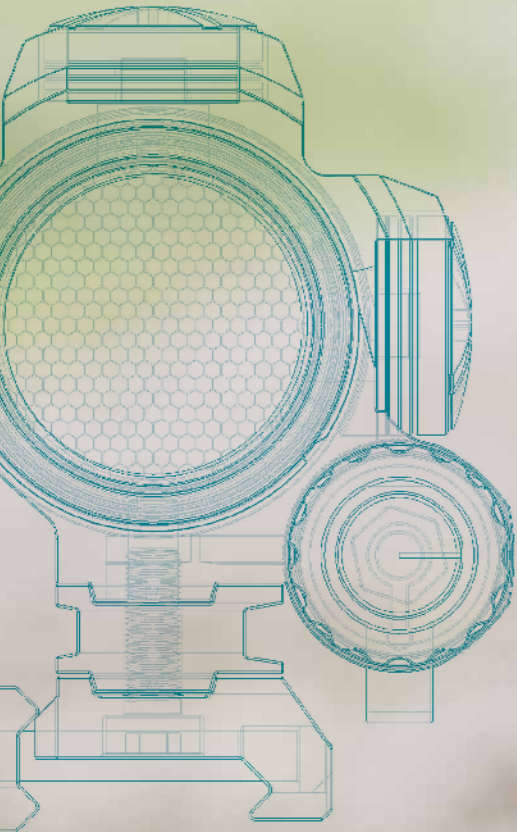
INDEX MS24-6: Front-opening multi-spindle machine to produce bar-turned parts with precision, speed and flexibility



INDEX G420: Turn-mill center for high-performance machining of large workpieces

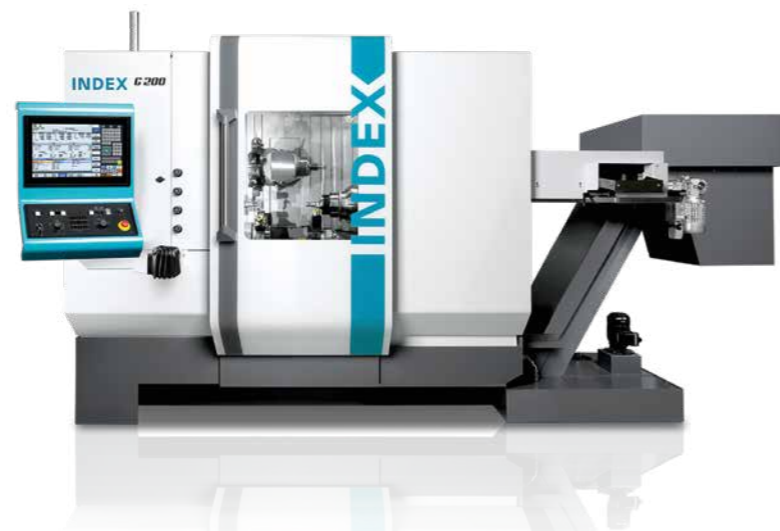


HIGH-PRECISION MANUFACTURING OF OPTICAL COMPONENTS



INDEX Turn-mill technology | Highlights

- Up to 3 tool carriers with a Y axis on both the main and counter spindles
- Powerful and dynamic milling spindle (360 degree B axis)
- Economical complete machining both of chucked parts and from bar stock
- Sophisticated work area design for turning lengths of up to 660 mm and variable machining options
- Very good ergonomics for short setup times
- Small footprint and high power density
- Wide range of automation solutions
- High-quality German machine tool design and construction



Scope

- Ø 20 - 72 mm | L 200 mm
- INDEX G200



Scope Mount

- Chucked part
- INDEX G220

COMPLETE MACHINING OF PRECISION COMPONENTS FOR **GUIDED MISSILES**



Fuse housing
Ø 40 - 90 mm | L 40 - 80 mm
INDEX C200



Guided missile
Ø 70 - 120 mm | L 600 mm
INDEX G420



BRAZIL | Sorocaba
INDEX Tornos Automaticos Ind. e Com. Ltda.
Rua Joaquim Machado 250
18087-280 Sorocaba - SP
Phone +55 15 2102 6017
info@index-traub.com.br
www.index-traub.com.br

CHINA | Shanghai
INDEX Trading (Shanghai) Co., Ltd.
No. 526, Fute East 3rd Road
Shanghai 200131
Phone +86 21 54176637
info@index-traub.cn
www.index-traub.cn

CHINA | Taicang
INDEX Machine Tools (Taicang) Co., Ltd.
1-1 Fada Road, Building no. 4
Ban Qiao, Cheng Xiang Town
215413 Taicang, Jiangsu
Tel.: +86 512 5372 2939
info@index-traub.cn
www.index-traub.cn

DENMARK | Langeskov
INDEX TRAUB Danmark
Havretoften 1
5550 Langeskov
Phone +45 30681790
info@index-traub.dk
www.index-traub.dk

GERMANY | Esslingen
INDEX-Werke GmbH & Co. KG Hahn & Tessky
Plochinginger Strasse 92
73730 Esslingen
Tel. +49 711 3191-0
info@index-werke.de
www.index-werke.de

GERMANY | Deizisau
INDEX-Werke GmbH & Co. KG Hahn & Tessky
Plochinginger Strasse 44
73779 Deizisau
Tel. +49 711 3191-0
info@index-werke.de
www.index-werke.de

GERMANY | Reichenbach
INDEX-Werke GmbH & Co. KG Hahn & Tessky
Hauffstrasse 4
73262 Reichenbach
Tel. +49 7153 502-0
info@index-werke.de
www.index-werke.de

FINLAND | Helsinki
INDEX TRAUB Finland
Hernepellontie 27
00710 Helsinki
Phone +358 10 843 2001
info@index-traub.fi
www.index-traub.fi

FRANCE | Paris
INDEX France S.à.r.l
12 Avenue d'Ouessant / Bâtiment I
91140 Villebon-sur-Yvette
Phone +33 1 69 18 76 76
info@index-france.fr
www.index-france.fr

FRANCE | Bonneville
INDEX France S.à.r.l
399, Av. de La Roche Parnale
74130 Bonneville Cedex
Phone +33 4 50 25 65 34
info@index-france.fr
www.index-france.fr

NORWAY | Oslo
INDEX TRAUB Norge AB
Liadammen 23
1684 Vesterøy
Phone +47 93080550
info@index-traub.se
www.index-traub.no

SWEDEN | Stockholm
INDEX Nordic AB
Fagerstagatan 2
16308 Spånga
Phone +46 8 505 979 00
info@index-traub.se
www.index-traub.se

SWITZERLAND | St-Blaise
INDEX Werkzeugmaschinen (Schweiz) AG
Av. des Pâquiers 1
2072 St-Blaise
Tel. +41 32 756 96 10
info@index-traub.ch
www.index-traub.ch

SLOVAKIA | Malacky
INDEX Slovakia s.r.o.
Vinohradok 5359
901 01 Malacky
Phone +421 34 286 1000
info@index-traub.sk
www.index-traub.sk

U.S.A. | Noblesville
INDEX Corporation
14700 North Pointe Boulevard
Noblesville, IN 46060
Phone +1 317 770 6300
info@index-usa.com
www.index-usa.com

Visit us on our social media channels:



better.parts.faster.

INDEX

**INDEX-Werke GmbH & Co. KG
Hahn & Tessky**

Plochinginger Strasse 92
73730 Esslingen

Phone +49 711 3191-0
Fax +49 711 3191-587
info@index-werke.de
www.index-werke.de

